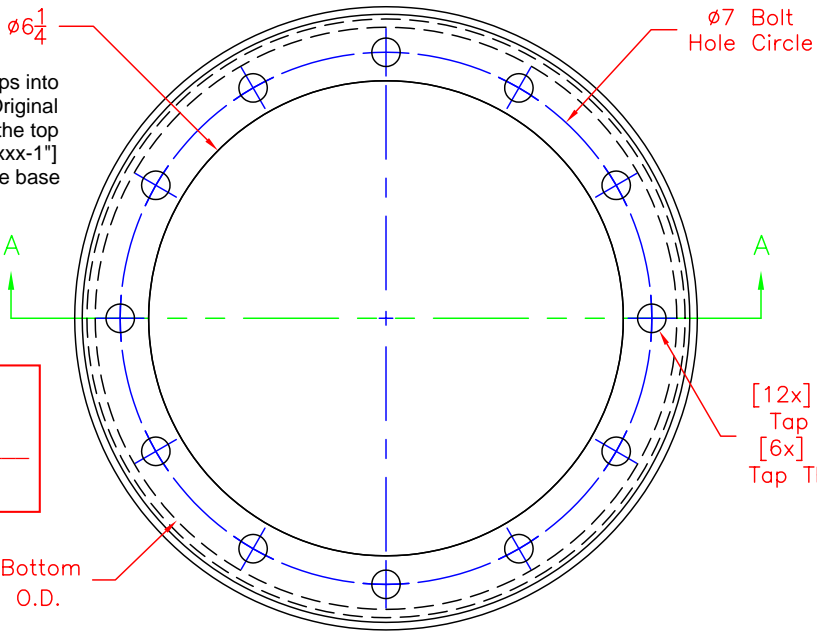


Important Note:

The base can extension slips into the 1" Mud Ring of the Original base can. When installed, the top of the extension extends [xxx-1"] above the top surface of the base can.

Approved By

XXX =



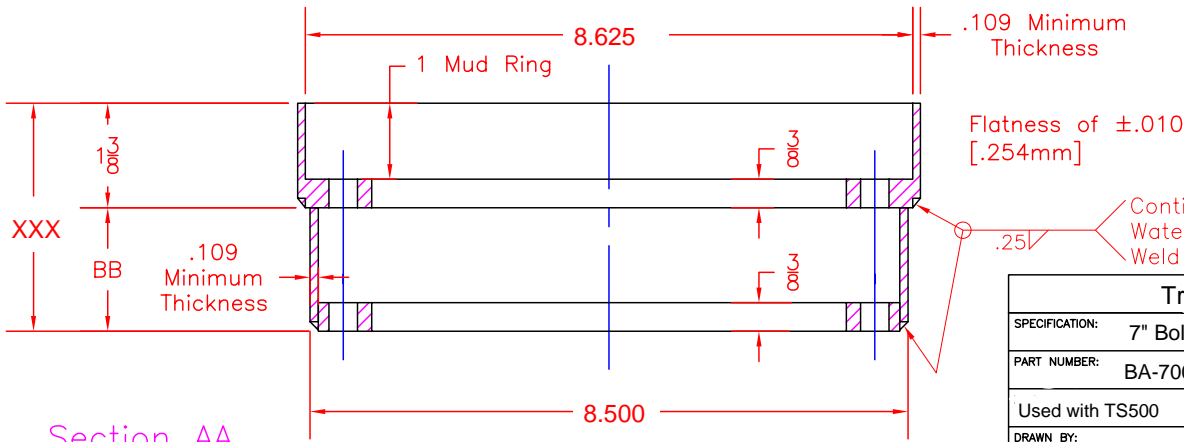
Additional Product Information:

- 1) Bolt holes are drilled and tapped after galvanizing.
- 2) 18-8 stainless steel hex head 3/8-16UNC X 1" fully threaded bolts shipped with each container.
- 3) This product is hot dipped galvanized in accordance with standard specifications for zinc coating on iron and steel hardware. ASTM A 153, ASTM A 385, ASTM A386

[12x] $\phi 3/8$ "-16 Tap Thru Top
[6x] $\phi 3/8$ "-16 Tap Thru Bottom

$\phi 11 \frac{1}{16}$ Bottom Ring O.D.

BB Height	XXX Total Height Dim.
1 5/8	3
1 7/8	3 1/4
2 1/8	3 1/2
2 3/8	3 3/4
2 5/8	4
2 7/8	4 1/4
3 1/8	4 1/2
3 3/8	4 3/4
3 5/8	5
3 7/8	5 1/4
4 1/8	5 1/2
4 3/8	5 3/4
4 5/8	6
4 7/8	6 1/4
5 1/8	6 1/2
5 3/8	6 3/4
5 5/8	7
5 7/8	7 1/4
6 1/8	7 1/2
6 3/8	7 3/4
6 5/8	8



Section AA

Continuous Watertight Weld

Traffic Safety Corp.			
SPECIFICATION:		7" Bolt Circle, 1" Mud Ring	
PART NUMBER:		BA-700-EX-XXX	DATE: 10/21/2009
Used with TS500	SIZE: A	SCALE: 1:2	SHEET OF 1 1
DRAWN BY:	ENGINEER:	CHECKED BY:	
TITLE: Base Can Extension for BA-700-10-2			